



PHOENIX[®]
DURABILITY X DESIGN™

Port Command Flood™ Series

Marine Grade Crane Floodlight

Patents Pending

The first and only floodlight designed specifically for terminal equipment

Superior performance at a competitive price

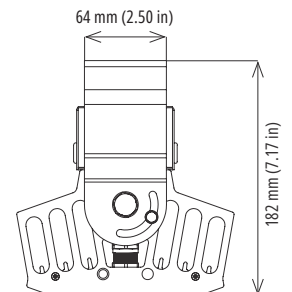
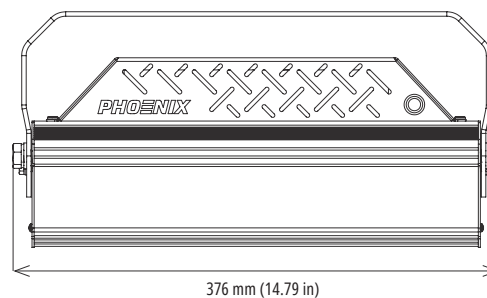
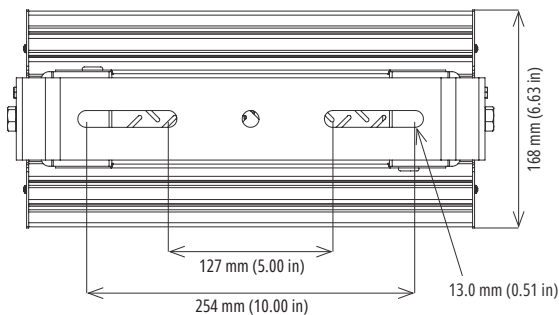
Designed and built by the most trusted lighting manufacturer in the industry

Built to withstand the shock and vibration of STS and RTG terminal yard cranes



Dimensions

RCF-125 Model

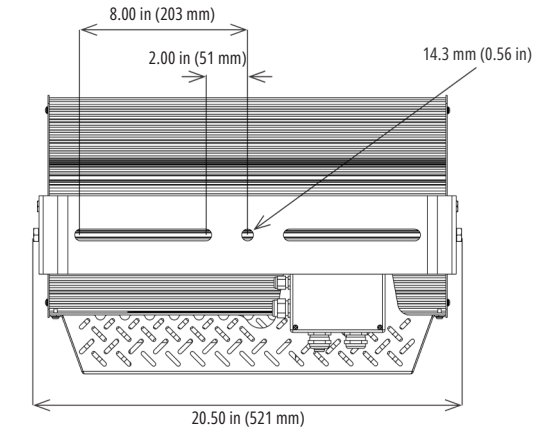


Port Command Flood™ Series

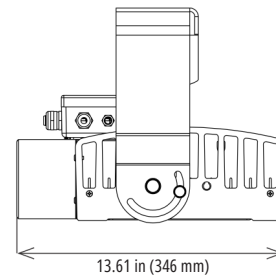
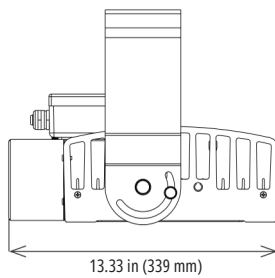
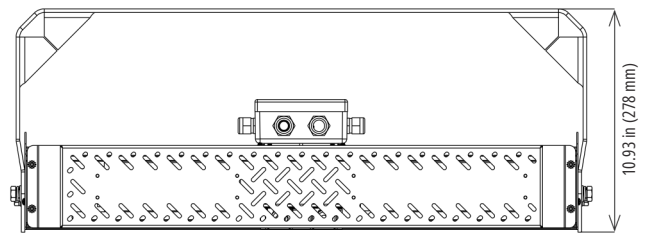
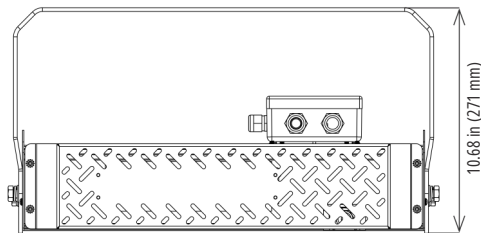
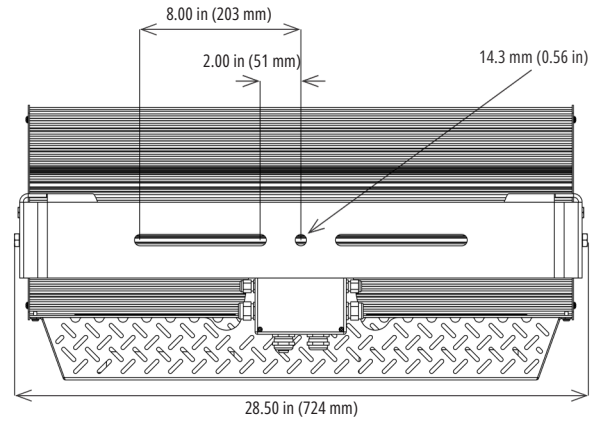
Marine Grade Crane Floodlight

Dimensions

SCF-250 Model



SCF-375 Model



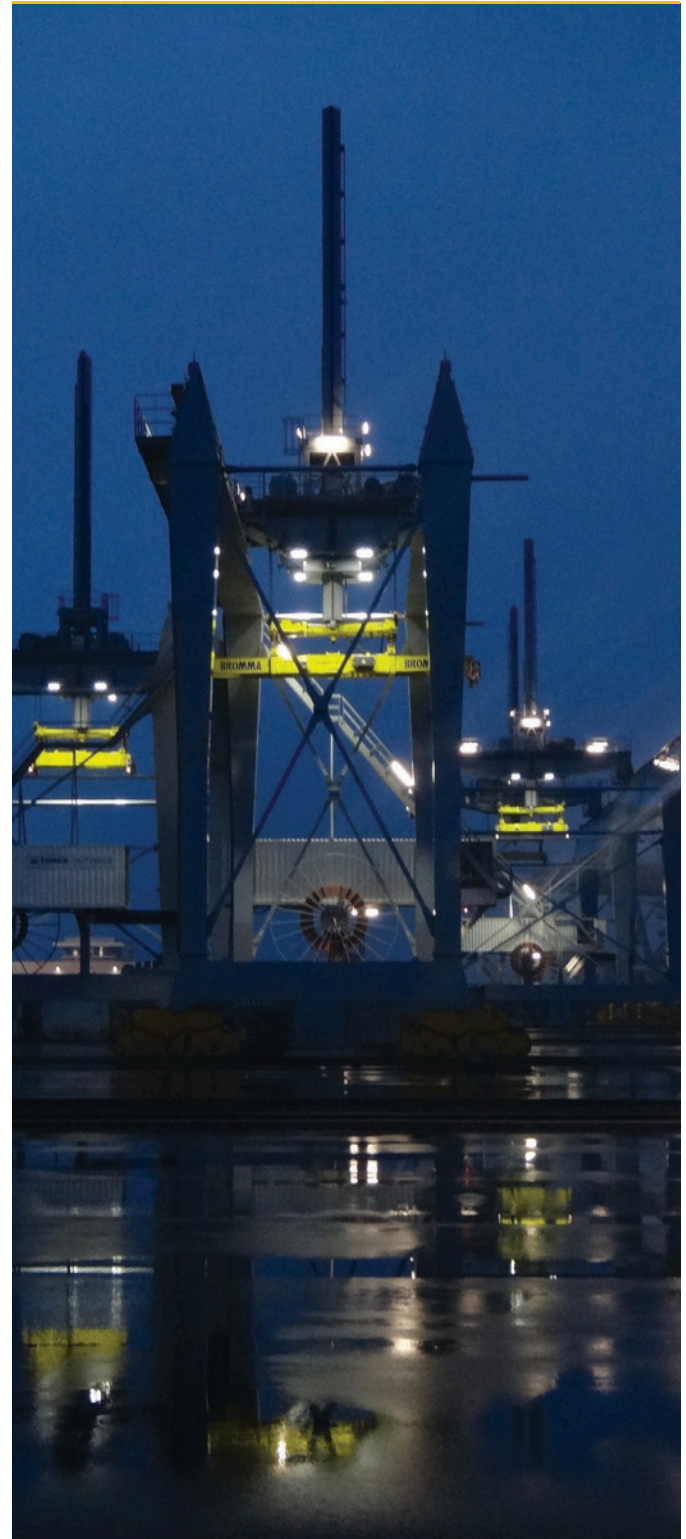
Specifications

Construction	Marine grade, aluminum housing Adjustable 316 stainless steel mounting harp (SSHRP)
Finish	Type II anodized finish per MIL-A-8625
Hardware	Marine grade (316) stainless steel
Lens	Weatherproof, clear polycarbonate
Light source	RCF-125, 120W, up to 15,300 lumens SCF-250, 240W, up to 32,000 lumens SCF-375, 360W, up to 48,000 lumens CRI > 70 50,000 hour rated life Cool white (5000K) - standard; neutral white (4000K); warm white (2700K) - contact factory 120-277V, 50-60Hz 277-480V, 50-60Hz (SCF-250 and SCF-375 only)
Power source	Overload, over-voltage, over-temperature and short-circuit protection 6kV line to line; 10kV line to earth 10 kV/kA
Surge protection	Stranded wires Optional 17 gauge, 3 conductor cord (CD),
Wiring	72.00 in (1829 mm) (SCF-250 and SCF-375 only) 120.00 in (3048 mm) (RCF-125 only) Standard cord grip 6 mm - 12 mm (0.24 in - 0.47 in) Optional junction box, without cord (JBOX)
Vibration	5 Grms, 100-2200 Hz
Ambient operating temperature	-40°C to + 50°C Designed for use in areas allowing air flow
Humidity range	0% to 100%
Mounting	Ceiling mount 220° harp rotation
Safety cable	Safety cable included
Weight	RCF-125 model - 5.9 kg (13 lbs) SCF-250 model - 14.2 kg (31.4 lbs) SCF-375 model - 20 kg (44.2 lbs)
Warranty	5 years

For IES files, see website or contact factory

Compliances

CE
IP66
LM79 and LM80 reports available upon request



Port Command Flood™ Series



Marine Grade Crane Floodlight

Ordering Information

Example: RCF-125-SP-120-277-CW-SSHRP-CD

Model	Optic	Voltage	CCT	Mounting Bracket	Wiring
RCF-125	VS ²	120-277	CW	SSHRP	JBOX
SCF-250	SP	277-480 2	NW		CD 3
SCF-375	MF WF		WW 1		

Model	Optic	Voltage	CCT
RCF-125 120W	VS ² Very narrow spot	120-277 120-277V, 50-60Hz	CW Cool white, 5000K
SCF-250 240W	SP Spot	277-480 2 277-480V, 50-60Hz	NW Neutral white, 4000K
SCF-375 360W	MF Medium flood WF Wide flood		WW 1 Warm white, 2700K

Mounting Bracket

SSHRP Adjustable 316 stainless steel mounting bracket

Wiring

JBOX Junction box, no cord included
 CD 3 Cord with pigtail (RCF-125 model provided with 120.00 in (3048 mm) cord; SCF-250 & SCF-375 models provided with 72.00 in (1829 mm) cord)

Notes

- 1 Contact factory for lead time
- 2 Only available with SCF-250 & SCF-375 models
- 3 CD models of SCF-250 & SCF-375 provided with cord coming out of junction box

Special Projects: We may be able to accommodate your special projects, so please don't hesitate to ask about additional options. Minimum order quantities and/or extended lead times will apply. Contact your Phoenix representative with specific inquiries.

